

Operating Manual

ODSpot

Lights with LED technology



Please, carefully read these instructions before install and connect your ODSpot



OCEAN DATA SYSTEM

Informatique et électronique marine

Attention

**Be careful with the optical radiation !
Possible ocular injuries. Don't look in LED lighting direction.**

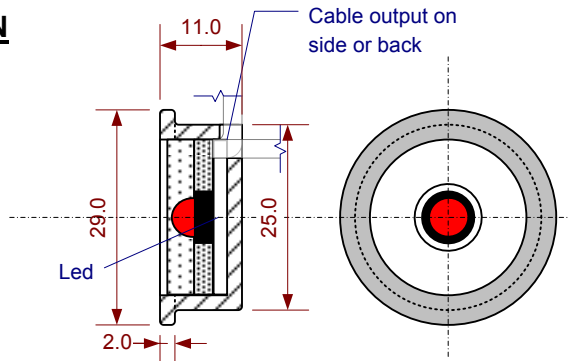
ODSpot lightings are certified tight IP67 and are carried out in robust materials. However the case can be damaged by shocks or abnormal mechanical constraints being able to deteriorate its sealing. In the event of manifest case rupture the warranty is void.

All ODSpot lightings are pre-wired and cannot be dismantled

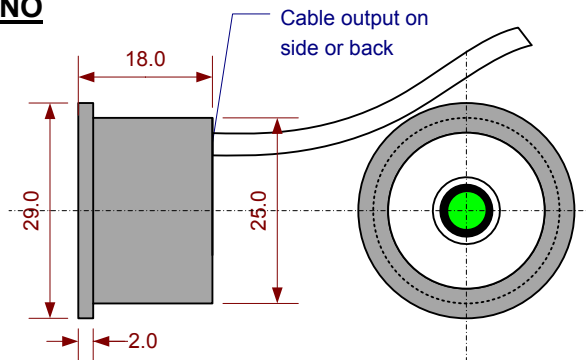
Do not shorten or damage the cable near the cable entry. This compromises its sealing and moisture can get in the housing. Leave at least two meters. If the cable is shortened at less than two meters warranty is void.

Dimensions of the ODSpot range

ODSpot 1L NN



ODSpot 1L NO



Ocean Data System retains the right to modify the design and the characteristics to the ODSpot without notice.

Limited Warranty :

This Ocean Data System product is warranted for 1 year against defects in materials and workmanship. Any ODSpot product developing such defect within this period will be repaired or replaced at our option, provided it is sent to France, transportation charges prepaid. No additional charge will be made unless the warranty period has expired or servicing is made necessary for reasons beyond our control, in which case a moderate charge will be applied.

To contact technical service :

Ocean Data System
3 ter rue Roger Salengro
56100 LORIENT
France

Tel : +33 (0) 2 97 87 92 65
Fax : +33 (0) 2 97 87 92 66

Internet : www.oceandatasystem.com
Email : technique@oceandatasystem.com

Mounting ODSpot with external control

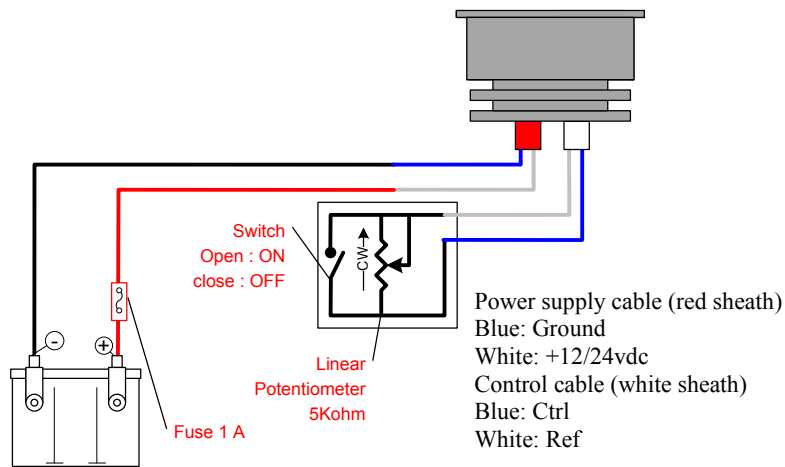
The « external control » version of ODSpot lighting, allows to be controlled by an external command component.

In this version, l'ODSpot is delivered with 2 cables 2 cores.

The cable « Power supply » with the red sheath must be connected to the supply voltage, the cable « Control » with the white sheath is used to control lighting.

You can connect :

- A simple ON/OFF switch : light on when the switch is open, light off when the switch is closed.
- A linear potentiometer 5Kohm
Either one or both components may be used.

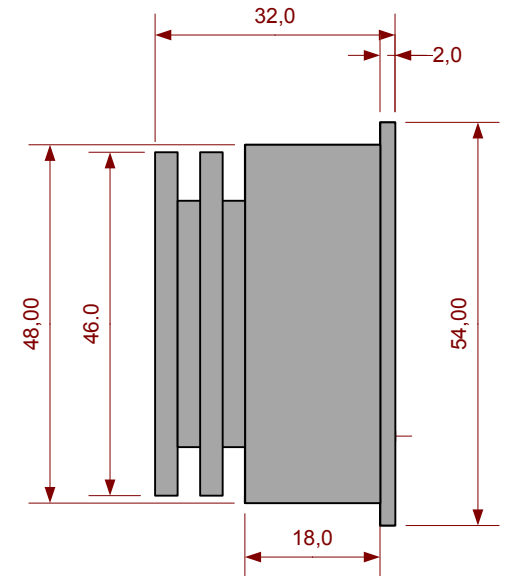
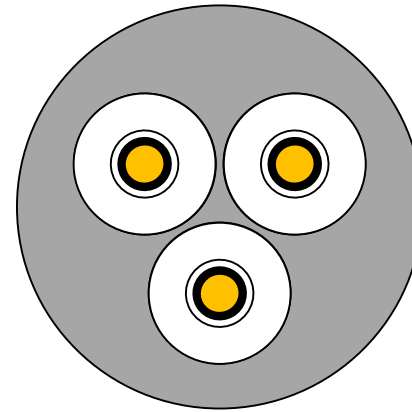


Other types of controls can be implemented:

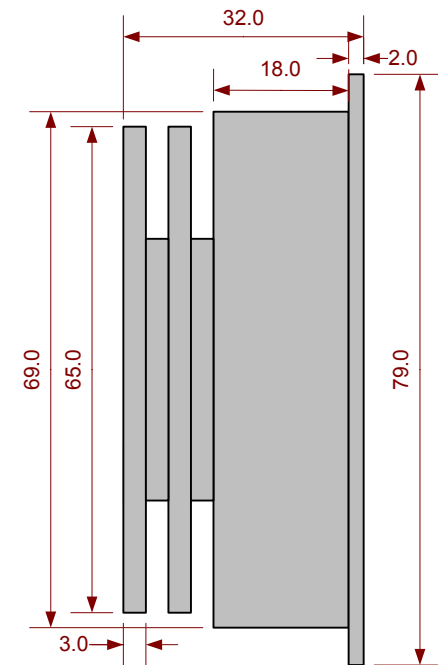
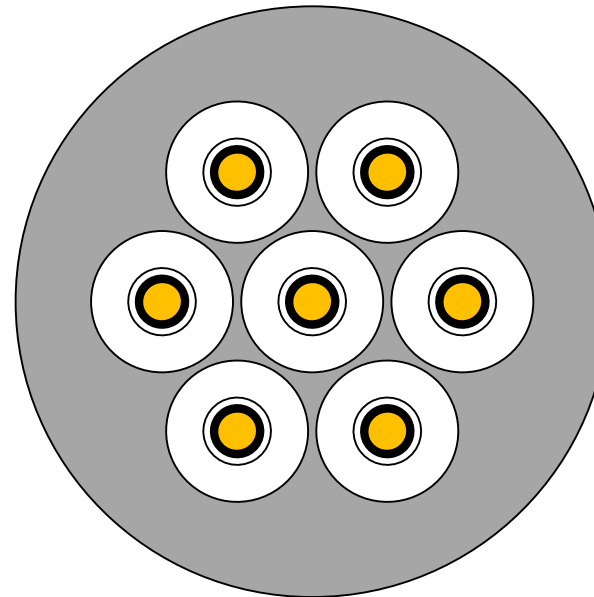
- Potentiometer using an external voltage
- Control input logic level
- Pulse lighting or flashing
- Control by microcontroller
- Simple Resistance for lighting fixed dimming.

Contact us for more information on possible alternative commands.

ODSpot 3L AO



ODSpot 7L AO



Ocean Data System retains the right to modify the design and the characteristics to the ODSpot without notice.

Maintenance

Maintenance is not necessary. The housing and the optics can be cleaned with a soft brush and fresh water. Aggressive cleaning agents containing solvents should not be used on optical and can leave traces on the anodized aluminium enclosure.

Mechanical installation of ODSpot lights

Recessed fixing

The ODSpot range is designed for a recessed fixing. The fixation can be done by bonding with polyurethane glue or other adhesive resistant to heat.

The threaded holes in the back can also be used for mechanical fastening.

ODSpot products are designed for optimum cooling of heat from the LEDs. **It is strongly advised to provide proper air circulation around the ODSpot housing.** The lifetime and the intensity of the LEDs can be greatly affected by poor heat dissipation.

Protrusion fixing

ODSpot products can be mounted in protruding on a plane surface.

The ODSpot 3L and 7L had 3 threaded holes on the back of the box.

- Fixing ODSpot 1L will be done by gluing.
- Fixing ODSpot 3L will be done by 3 M3 screws on the back of the ODSpot box.
- Fixing ODSpot 7L will be done by 3 M4 screws on the back of the ODSpot box.

Provide a hole for the cable so that it is not damaged.

Connecting ODSpot

Connecting ODSpot with embedded driver

References type : **OS-AFE-AO-3 and OS-AFE-AO-7**

Attention :

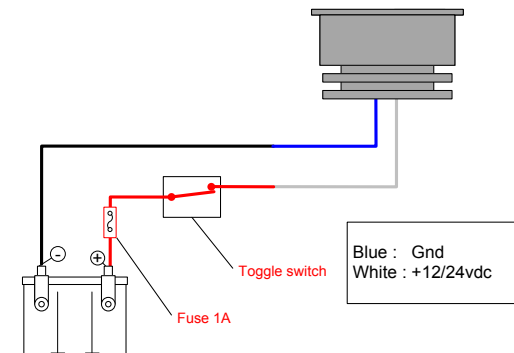
ODSpot 1 LED lights have no driver. It is imperative to provide an external power supply like the AL-3L-350 or AL-9L-350.

Descriptions :

Power supply : ODSpot 7Leds : **5 to 21.5vdc** or **15.5 to 26vdc**
ODSpot 3Leds : **15.5 to 25vdc** or **15.5 to 32vdc**
Voltage to be specified when ordering

Efficiency : 87% to 95% depending to the configuration

Connecting ODSpot 1 colour



Connecting ODSpot 2 colours

